



Dimension: 129 × 98 × 38mm

Features:

- Universal AC input voltage range
- Small volume, low weight, high efficiency
- Protections : short circuit/over load
- Cooling by free air convection
- LED indicator for power on
- 100% full load burn-in test
- 2 Years warranty



SPECIFICATION

Model		TLPZ-5-70
Output	DC voltage	5V
	Voltage tolerance	± 1%
	Rated current	14A
	Current range	0 ~ 14A
	Rated power	70W
	Ripple&noise	80mVp-p
	DC voltage ADJ. range	-9% ~ +10%
	Setup, rise, hold up time	1000ms,30ms,20ms/230VAC
Input	Voltage range	90 ~ 264VAC 47 ~ 63Hz, 125 ~ 373VDC
	AC current	1.8A/115V 0.9A/230VAC
	Efficiency	80%
	Inrush current	Cold start 18A/115V 36A/230VAC
	leakage current	< 1mA/240VAC
Protection	Overload	Rated output power 105% ~ 135% Start overload protection
		Protection type: hiccup mode, auto-recovery after fault condition is removed
Environment	Working temp, humidity	-20°C ~ +50°C; 20% ~ 90%RH (Please refer to "derating curve")
	Storage temp, humidity	-40°C ~ +85°C; 10% ~ 95%RH Non-condensing
	Withstand vibration	10 ~ 500Hz, 5G 10min./1Cycle, Period for 60min, Each axes
Safety	Withstand voltage	I/P-O/P: 3KVAC I/P-FG: 2KVAC O/P-FG: 0.5KVAC
	Isolation resistance	I/P-O/P: I/P-FG,O/P-FG: 100M Ohms/500VDC
Fit standard	Safety standard	Compliance to UL 62368-1, TUV 62368-1, EN62368-1, KC K60950-1
	EMC Standard	Compliance to EN 55032, CLASS A; KCC KN22 KN24, CLASS A
Others	Dimension	129*98*38mm (L*W*H)
	Weight	0.4kg/45pcs/19kg/0.35m ³

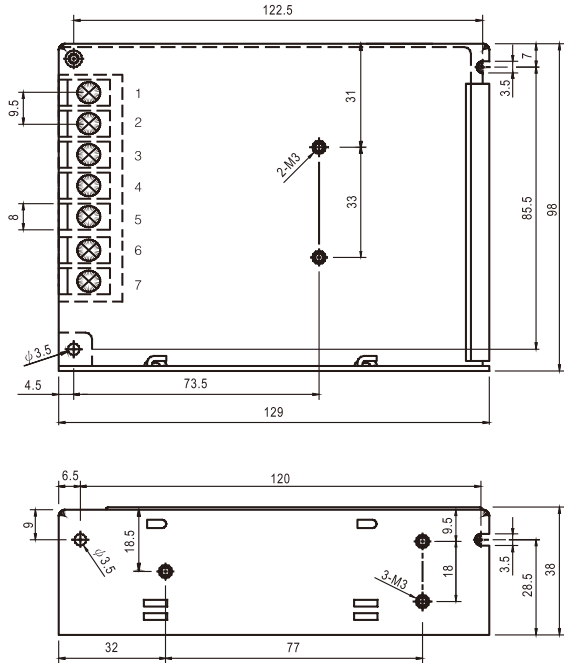
Note: 1. All parameters NOT specially mentioned are measured at 230VAC input, rated load and 25°C of ambient temperature.

2. Ripple & noise are measured at 20MHz of bandwidth by using a 12" twisted pair-wire terminated with a 0.1uf & 47uf parallel capacitor.

3. Tolerance : includes set up tolerance, line regulation and load regulation.

Mechanical specification

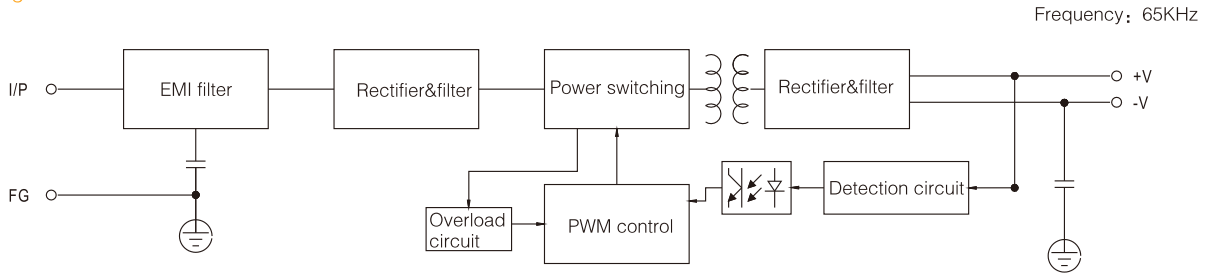
Unit:mm



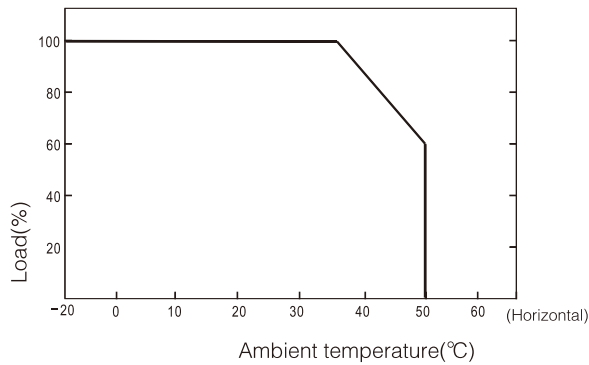
Terminal Pin No.Assignment

Pin No.	Assignment	Pin No.	Assignment
1	AC/L	4	DC OUTPUT -V
2	AC/N	5	DC OUTPUT +V
3	FG \perp		

Block diagram



Derating curve



Static characteristic

