

RGBW/RGB/CCT/Dimming 4 Channel LED RF Controller

Model No.:

4 Channels / Step-less dimming / Wireless remote control / Push Dim / Auto-transmitting / Synchronize



FC CE RoHS RED

Features

- Match with Skydance's 2.4G single color, dual color and RGB/RGBW remote control.
- One RF controller accept up to 10 remote control.
- When using with RGB/RGBW light, built in 10 dynamic mode, include jump or gradual change style.
- Auto-transmitting function: Controller automatically transmit signal to another controller with 30m control distance.
- Synchronize on multiple number of controllers.
- Connect with external push switch to achieve on/off and dimming function.

Technical Parameters

| Input and Output | |
|------------------|------------------|
| Input voltage | 12-36VDC |
| Input current | 20.5A |
| Output voltage | 4 x (12-36)VDC |
| Output current | 4CH,5A/CH |
| Output power | 4 x (60-180)W |
| Output type | Constant voltage |

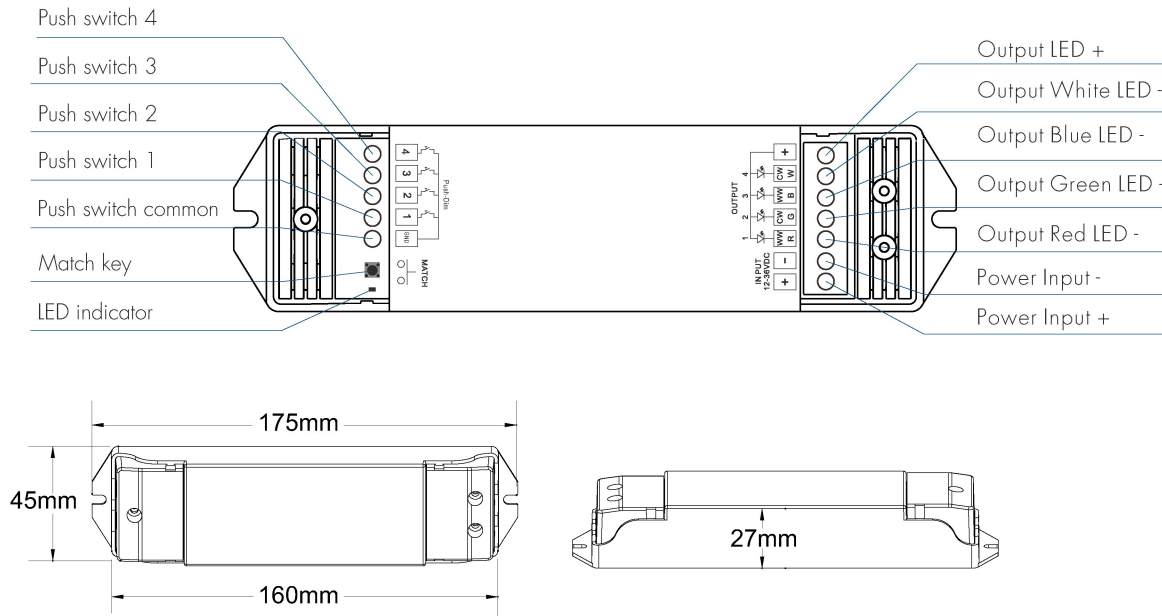
| Safety and EMC | |
|----------------------|--------------------|
| EMC standard (EMC) | EN301 489,EN 62479 |
| Safety standard(LVD) | EN60950 |
| Radio Equipment(RED) | EN300 328 |
| Certification | CE,EMC,LVD,RED |

| Dimming data | |
|------------------|----------------------|
| Input signal | RF 2.4GHz + Push Dim |
| Control distance | 30m |
| Dimming level | 4096 levels |
| Dimming range | 0-100% |

| Environment | |
|-------------------------|-------------------|
| Operation temperature | Ta: -30°C ~ +55°C |
| Case temperature (Max.) | Tc: +85°C |
| IP rating | IP20 |

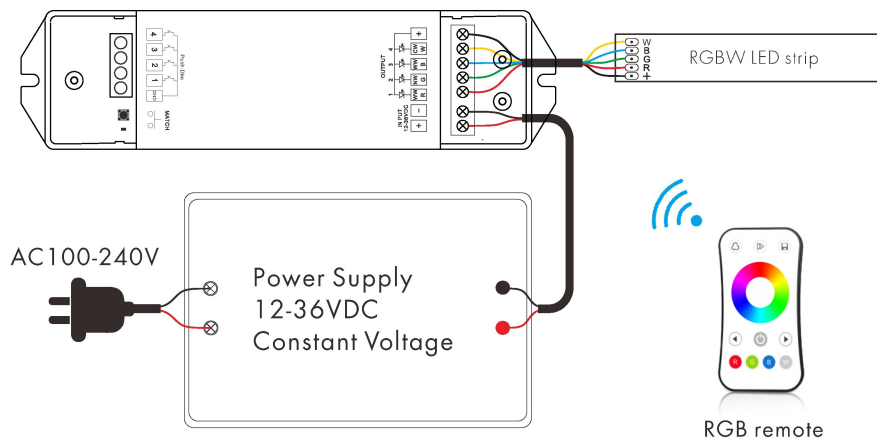
| Warranty and Protection | |
|-------------------------|------------------|
| Warranty | |
| Protection | Reverse Polarity |

Mechanical Structures and Installations

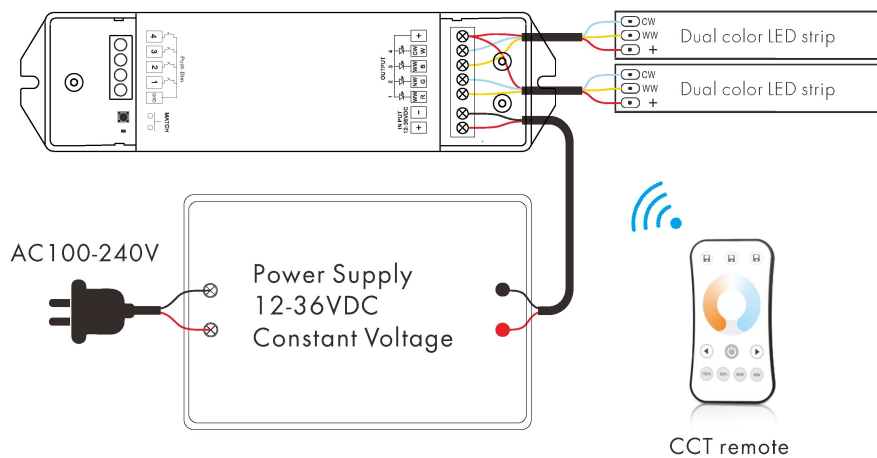


Wiring Diagram

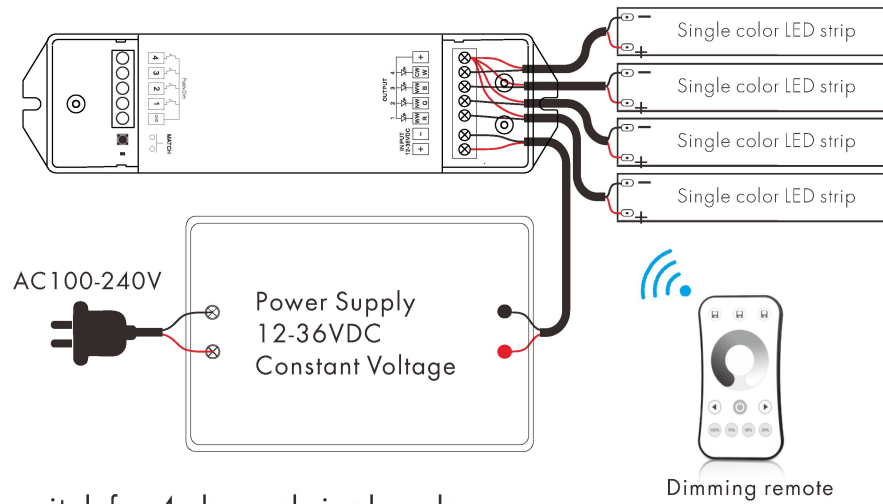
for RGB/RGBW



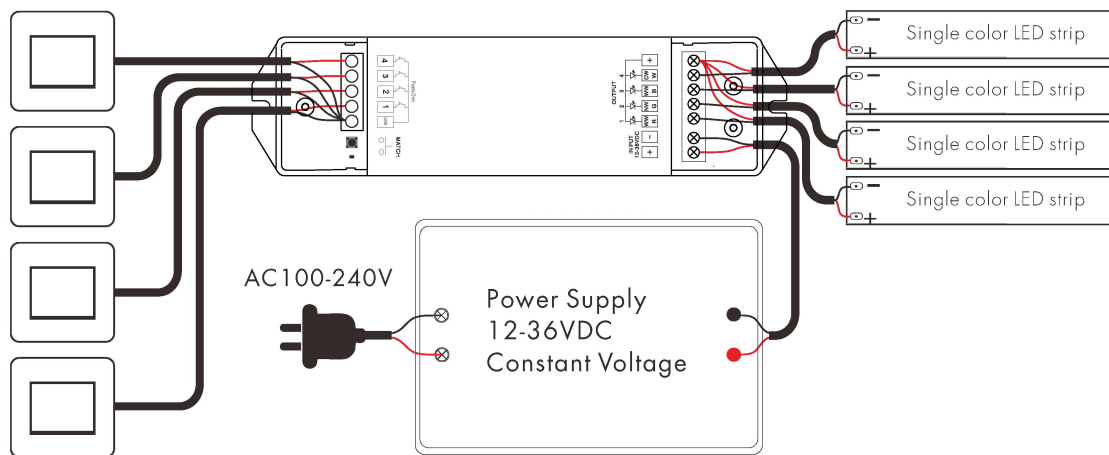
for dual color



for single color



with four push switch for 4 channel single color



Push Switch x 4

Match Remote Control (two match ways)

End user can choose the suitable match/delete ways. Two options are offered for selection:

Use the controller's Match key

Match:

Short press match key, immediately press on/off key (single zone remote) or zone key (multiple zone remote) of the remote.

Delete:

Press and hold match key for 5s to delete all match, The light blinks 5 times means all matched remotes were deleted.

Use Power Restart

Match:

Switch off the power, then switch on power again, immediately short press on/off key (single zone remote) or zone key (multiple zone remote) 3 times on the remote. The light blinks 3 times means match is successful.

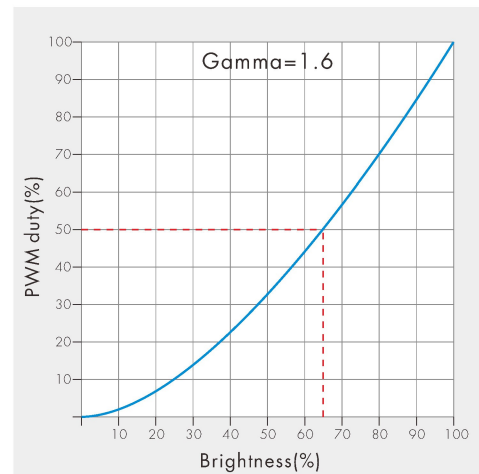
Delete:

Switch off the power, then switch on power again, immediately short press on/off key (single zone remote) or zone key (multiple zone remote) 5 times on the remote. The light blinks 5 times means all matched remotes were deleted.

Push Dim Function

- **Short press:**
Turn on or off each channel.
- **Long press (1-6s):**
Press and hold to step-less dimming of each channel,
With every other long press,
the light level goes to the opposite direction.
- **Dimming memory:**
Light returns to the previous dimming level
when switched off and on again,
even at power failure.

Dimming Curve



RGB dynamic mode list

| No. | Name | No. | Name |
|-----|---------------------------|-----|-----------------------|
| 1 | RGB jump | 6 | RGB fade in and out |
| 2 | RGB smooth | 7 | Red fade in and out |
| 3 | 6 color jump | 8 | Green fade in and out |
| 4 | 6 color smooth | 9 | Blue fade in and out |
| 5 | Yellow cyan purple smooth | 10 | White fade in and out |

Malfunctions analysis & troubleshooting

| Malfunctions | Causes | Troubleshooting |
|--|--|---|
| No light | <ol style="list-style-type: none"> 1. No power. 2. Wrong connection or insecure. | <ol style="list-style-type: none"> 1. Check the power. 2. Check the connection. |
| Wrong color | <ol style="list-style-type: none"> 1. Wrong connection of R/G/B/W wires. | <ol style="list-style-type: none"> 1. Reconnect R/G/B/W wires. |
| Uneven intensity between front and rear, with voltage drop | <ol style="list-style-type: none"> 1. Output cable is too long. 2. Wire diameter is too small. 3. Overload beyond power supply capability. 4. Overload beyond controller capability. | <ol style="list-style-type: none"> 1. Reduce cable or loop supply. 2. Change wider wire. 3. Replace higher power supply. 4. Add power repeater. |
| No response from the remote | <ol style="list-style-type: none"> 1. The battery has no power. 2. Beyond controllable distance. 3. The controller did not match the remote. | <ol style="list-style-type: none"> 1. Replace battery. 2. Reduce remote distance. 3. Re-match the remote. |